

**ALE series
Windshield assembly instructions**

- This document is "Windshield assembly instructions".
- For a description of the balance, please check the operation manual.

Shipment List



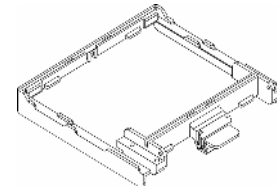
Please check the packing.

BASE: 1 	REAR panel: 1 	FRONT panel: 1
SIDE upper L: 1 SIDE upper R: 1 	UPPER: 1 	UPPER panel: 1
SIDE: 2 	SIDE panel L: 1 SIDE panel R: 1 	SIDE panel: 2
	STOPPER: 2 	THUMB screw: 4 (Resin head)

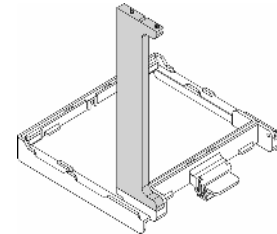
* There are two types of "Glass parts" and "Plastic parts".

Assembly instructions

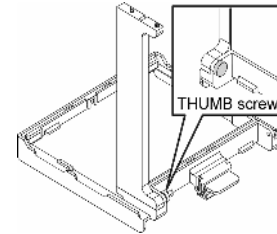
1 Set the "BASE".



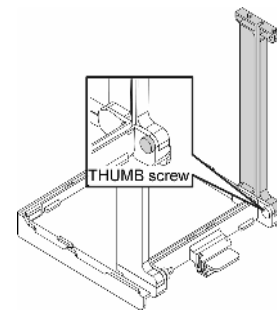
2 Attach the "SIDE".



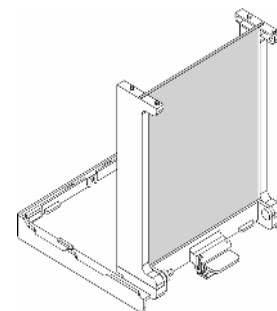
3 Tightened with "THUMB screw".



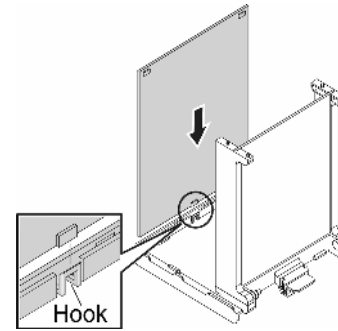
4 Other side attach the "SIDE" in the same way.



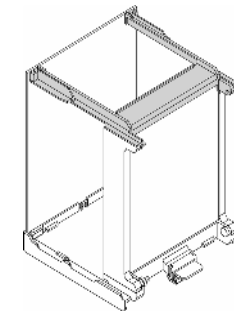
5 Fit the "REAR panel".



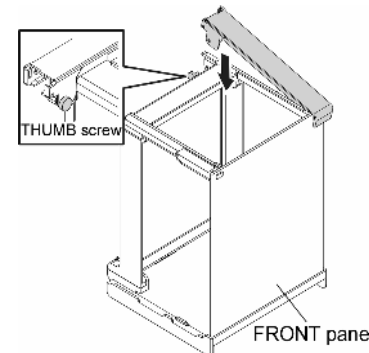
6 Attach the "FRONT panel".
Attention: Direction of the hook.



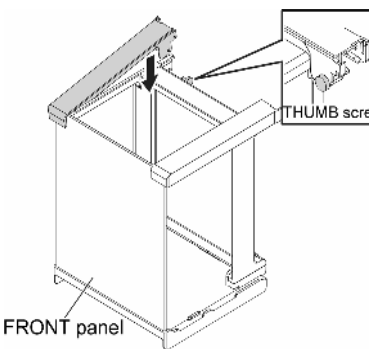
7 Attach the "UPPER".



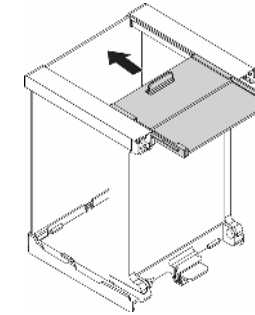
8 Attach the "SIDE upper R".
(1) Catch on the "FRONT panel" side.
(2) Tightened with "THUMB screw".



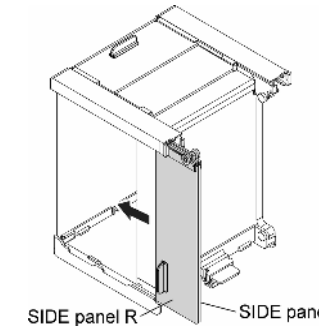
9 Other side attach the "SIDE upper L" in the same way.



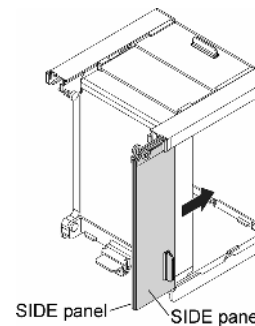
10 Insert the "UPPER panel" along the groove.



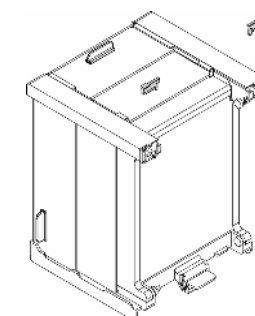
11 (1) Match the "SIDE panel R" and the "SIDE panel".
(2) Insert along the rail of the "SIDE upper R".



12 (1) Other side match the "SIDE panel L" and "SIDE panel" in the same way.
(2) Insert along the rail of the "SIDE upper L".

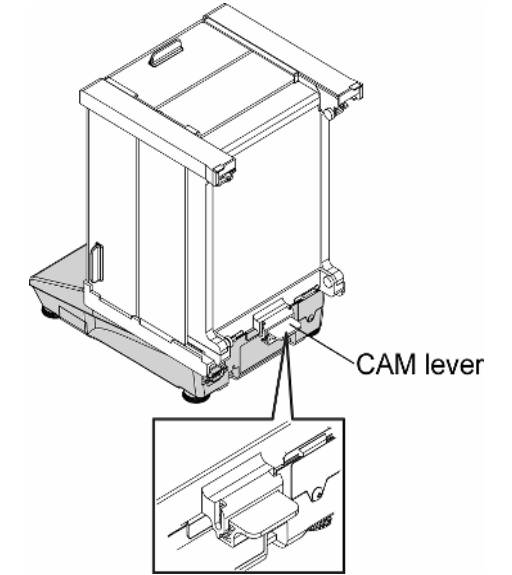


13 Attach the "STOPPER".

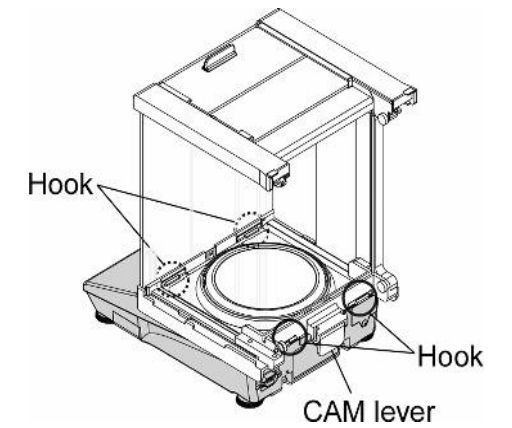


Attach to the balance

1 (1) Move the "CAM lever" in the direction of the figure.
(2) Put on the balance.



2 (1) Move the "CAM lever" in the direction of the figure (Down).
(2) Matching hook of 4 points.



[Top view]

