

Dimensioning and Weighing System for Small Items

Parts Scan

Best Solution for Data Master Constructing

Catches parts size in 1mm resolution

Recognizes irregular shape

Handles semitransparent objects

Applicable for

- Carton selection
- Order picking
- Space management in warehouse and container
- Shipment planning

Good for

- Apparel
- Cosmetics
- Medical and pharmaceutical
- Consumer goods
- On-line shoppers
- Retailers and whole sellers
- Manufacturer's parts distribution



* Monitor screen is an option.



PS-450

Essential tool
for Data Master Constructing

Parts Scan PS-450

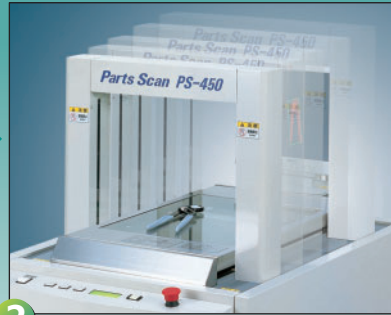
Independent from object shape, color and surface condition
Measuring semitransparent objects

Operation: Easy and no mistake

* Monitor screen is an option.



1 Place an object on the scanning table and switch on for start.

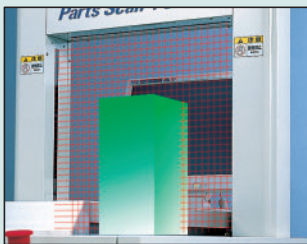


2 Start scanning
– The Scanning Gate moves forward and backward.



3 completed the measurement after the gate returned. Parts Scan displays length, width, height, and weight.

L = 250 mm
W = 73 mm
H = 17 mm
M = 324 g



1mm resolution
measures volume and weight of small object with 1mm resolution



Irregular shape recognition
recognizes irregular shape object and present its smallest rectangular that fits the object

Semitransparent object measurement
measures semitransparent objects such as blister package



Data Master construction
interfaced with barcode-reader and computer, constructs data master for many kinds of items easily

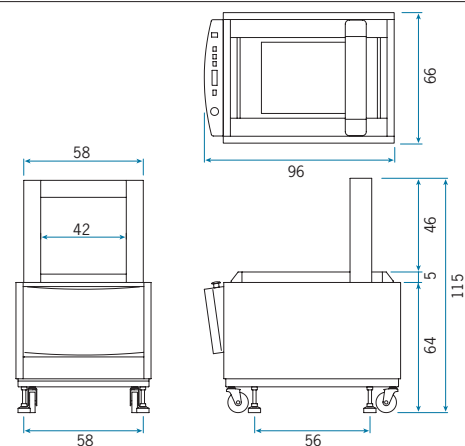


Specifications

Model	PS-450
Measuring range / increment	Length(L): 10 to 450mm / 1mm Width(W): 10 to 345mm / 1mm Height(H): 5 to 345mm / 1mm
Measuring sensors	Infrared light
Weighing range / increment	0 to 5kg / 2g, 5 to 15kg / 5g
Weighing sensors	Strain gage load cell
Measuring time	4 to 8 seconds depending on object size and location
Data output	RS232C output for computer RS232C input for barcode reader VGA output for monitor screen
Physical dimensions	96cm (L) × 66cm (W) × 115cm (H)
Physical weight	Approx. 150kg

Dimensions

(unit: cm)



The contents of this catalogue are subject to change due to modifications and/or other reasons.

●Distributed by:

SHINKO DENSHI CO., LTD.

3-9-11 YUSHIMA, BUNKYO-KU, TOKYO 113-0034
TEL : 81-3-3835-4577 FAX : 81-3-5818-6066

URL <http://www.vibra.co.jp/global>
E-mail shinko@vibra.co.jp



JQA-2834 ISO 14001:2004
JQA-QMA13875 ER-00130

