

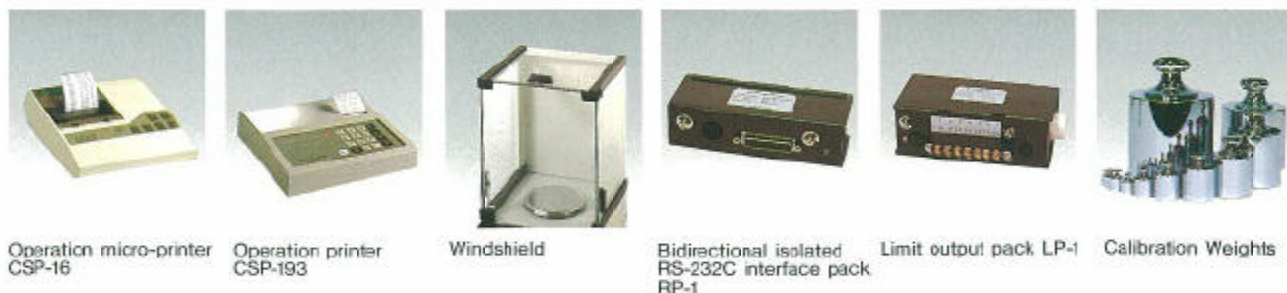
SPECIFICATIONS

Measuring Systems	Tuning-fork frequency sensing
Tare	Full weighing range
Zero Tracking	Effective within ± 3 digits
Calibration	Semi-automatic calibration with reference weight
Temperature/Humidity	0°C to 40°C, 80%r.h. or less
Display	Custom LCD of 12.5mm height
Power Source	Exclusive AC adaptor
Functions	Ordinary weighing Counting (Sample quantity selectable, sampling with unit weight improving) Comparator (Judgment by setting HI/LOW limits, with actual samples, or by key operation) Selectable weighing unit (g, kg, ct, oz, lb, ozt, dwt, gr, HK tael, SIN tael, TW tael, mom)

MODELS

MODEL	Capacity	Readability	Pan size	Weight
CG-150E	150g	0.01g	140 dia	2.8kg
CG-300E	300g	0.01g	140 dia	2.8kg
CG-600E	600g	0.02g	140 dia	2.8kg
CG-620E	620g	0.01g	140 dia	2.8kg
CG-1500E	1500g	0.1g	190 x 190	3.5kg
CG-3000E	3000g	0.1g	190 x 190	3.5kg
CG-3000S	3000g	0.01g	190 x 190	3.5kg
CG-6000E	6000g	0.2g	190 x 190	3.5kg
CG-6200E	6200g	0.1g	190 x 190	3.5kg
CG-12KE	12000g	1g	190 x 190	3.5kg

Optional Unit



Operation micro-printer CSP-16

Operation printer CSP-193

Windshield

Bidirectional isolated RS-232C interface pack RP-1

Limit output pack LP-1

Calibration Weights RP-1

Options (built in the scale)

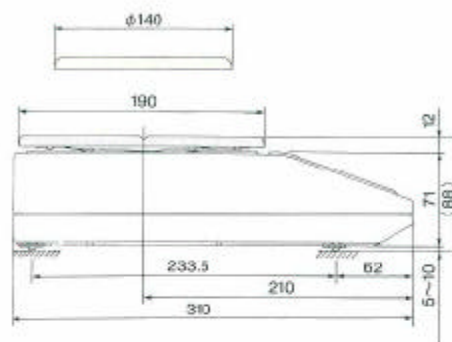
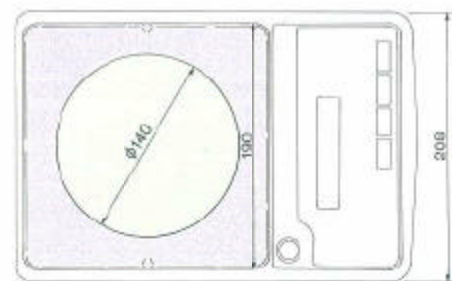
OUTPUT SELECTION

- CGU : Printer output
- CGR : RS232C output (bidirectional)
- CGR4 : RS422A output (bidirectional)
- CGBZ : Buzzer & Printer output for comparator function and printer
- CGLM : Relay contact & Printer output for comparator function and printer

RECHARGEABLE BATTERY

- CGBT : Operable for 48 hours without output, charged in 12 hours.

DIMENSIONS(mm)

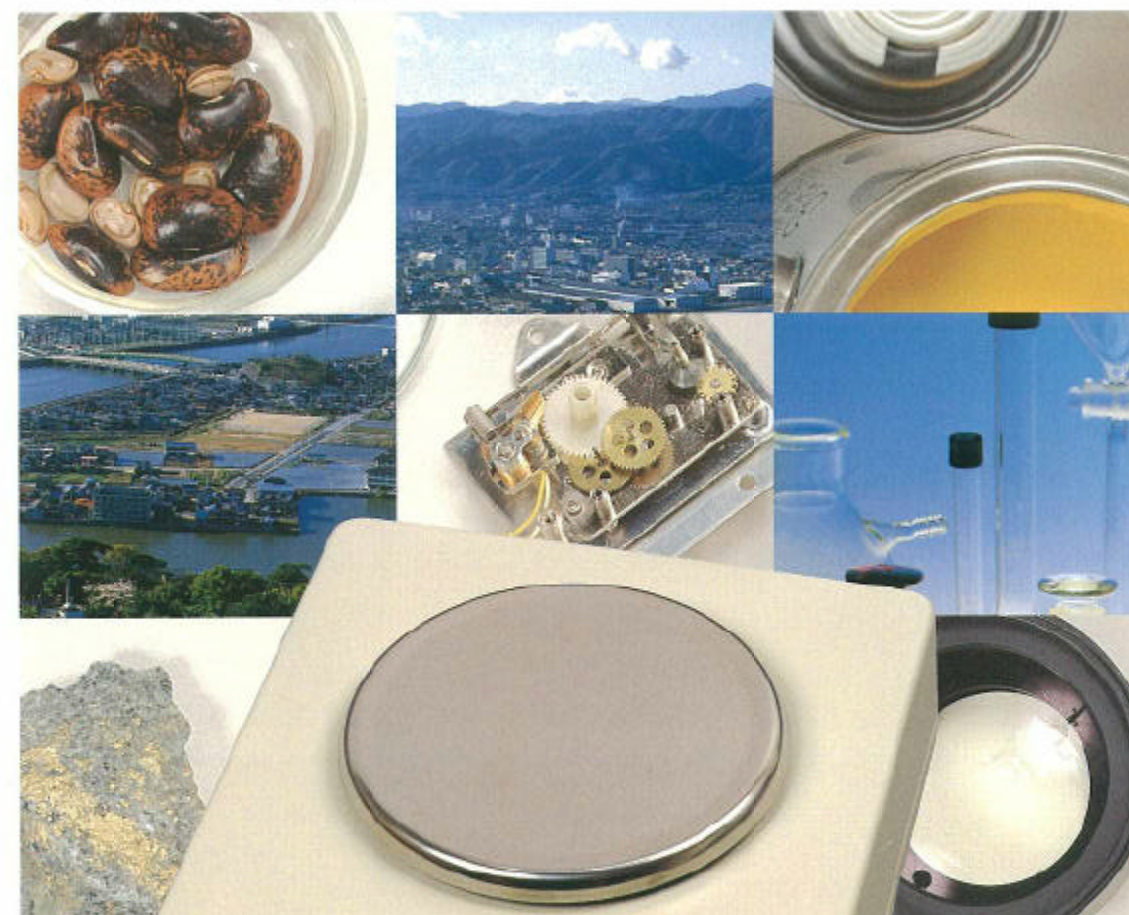


Tuning-Fork Balance

VIBRA

CGseries

● Simple and Practical



- CALIBRATION REQUIRED ONLY WHEN RE-LOCATED
- NO WARM-UP TIME REQUIRED
- QUICK STABLE INDICATION

The specifications and external design are subject to change without notice for further product improvement.

SHINKO DENSHI CO., LTD.

3-9-11 YUSHIMA, BUNKYO-KU, TOKYO 113-0034, JAPAN
PHONE : 81-3-3835-4577 FAX : 81-3-5818-6066
E-mail shinko@vibra.co.jp http://www.vibra.co.jp

● Distributed by :

SHINKO DENSHI CO., LTD.



CG-150



A VERTICAL APPEARANCE OF ULTRA HI-TECH BALANCES

CG series



CG-6200

A Scale straight to your production requirements

Practical electronic scales, with new Tuning-Fork sensor and the best of high technology.

CG series covers the range of scales which is practically used in various weighing fields. Its wide range of capacities enables you to adapt to any field of industries, laboratories, offices. Available in agricultural fields, mines, construction sites, warehouses, anywhere that does not provide the line outlet with the battery option.

FEATURES

1. CG offers extremely quick response ; less than 1 sec for read out, about 2 sec for perfect stabilization. It is very stable even under a windy or oscillating condition.
2. CG does not require any warm up time. Its Tuning-Fork sensor offers you most accurate result just after energizing. This is an advantage of Tuning-Fork sensor, different from strain gauge load cell or electromagnetic system.
3. CG does not require calibration for long term operation. Calibration is required only it is re-located. CG offers you most reliable results without calibrating before daily operation.
4. CG has simple and practical basic functions ; precision weighing, comparator, and counting function as standard, convenient for batch weighing or stock taking.
5. CG has a beautiful metal case, which protects the finest mechanism from impacts, chemicals and radio disturbances.

APPLICATIONS

Plastic injection	: Adjusting material by product weight check.
Paint/Print	: Exact mixing for given color.
Cosmetics	: Contents check.
Camera	: Parts missing check by weight.
Gas spray can	: Contents volume check.
Rubber	: Exact mixing of carbon additives, etc.
Medicine	: Exact compound, contents check.
Pharmacy	: Dosage.
Gasket	: Product weight check.
Plating	: Plated volume check (weight check before & after plating).
Paper manufacture	: Total weight compute by tear weight check.
Dyeing	: Exact compound/weighing of dye-stuffs.