

## Tuning-Fork Platform Scale

# CG K·KF series

● High Precision Industrial Scale



**SHINKO**

# NEW EXTENSIONS OF ULTRA HI-TECH TUNING-FORK SCALE

- High-Precision at Low Cost
- Bright Easy-to-Read Display
- Comparator & Counting Function for Filling, Quality Control & Receiving Inspection

## FEATURES

1. No warm-up time
2. Free indicator position
3. Line/battery operation(option)
4. Various output interfaces(option) for automation system

## SPECIFICATIONS

1. Measuring System : Tuning-fork sensor
2. Taring Range : Full weighing range
3. Zero Setting : Automatic and/or by T key
4. Calibration : Semi-automatic calibration with reference weight
5. Temperature/Humidity : 0°C to 40°C, 80%RH or less
6. Functions : Ordinary weighing  
Counting (sampling with unit weight improving)  
Comparator (HI/LOW limits setting with actual samples, or by key operation)  
Selectable weighing unit (g, kg, ct, oz, lb, ozt, dwt, gr, HK tael, SIN tael, TW tael, mom)
7. Power Source : 9 VDC 400mA, with exclusive AC adaptor

## MODELS

MODEL	CAPACITY	READABILITY	PAN SIZE	WEIGHT
CG-16K	16kg	0.5g	320×360	19kg
CG-30K	30kg	1g	320×360	19kg
CG-60K	60kg	1g	320×360	19kg
CG-60KF	60kg	2g	610×400	38kg
CG-100KF	100kg	5g	610×400	38kg
CG-200KF	200kg	10g	610×400	38kg

## OPTIONS

### OUTPUT SELECTION

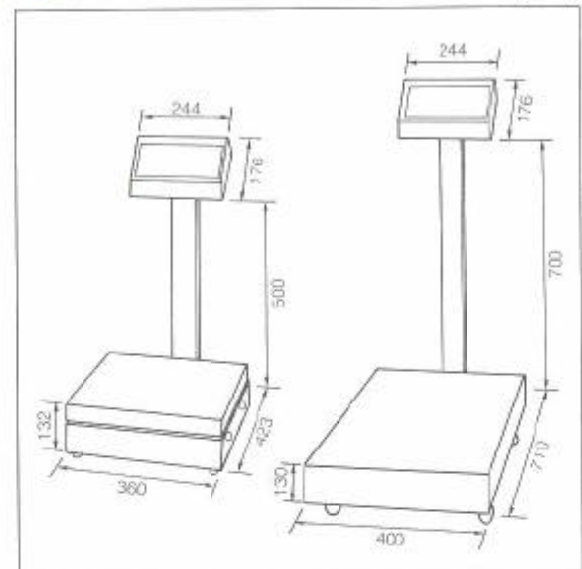
- CGIJ OUTPUT : For Shinko printers
- CGRO OUTPUT : RS232C output(bidirectional)
- CGR4 OUTPUT : RS422A output(bidirectional)
- CGBZ OUTPUT : Buzzer & IJ output for comparator function
- CGLM OUTPUT : Relay contact & IJ output for comparator function

### RECHARGEABLE BATTERY

- CGK BATTERY (factory option) : Built-in NiCd battery assembly, operable for 7 hours, charged in 12 hours.  
(No output option is available with the built-in battery.)

## DIMENSIONS

(mm)



## APPLICATIONS

- Plastic injection : Weight check of products.
- Paint/Print : Exact mixing of colors.
- Cosmetics : Contents check.
- Camera : Parts missing check by weight.
- Gas spray can : Contents volume check.
- Rubber : Exact mixing of carbon additives, etc.
- Medicine : Exact compound, contents check.
- Pharmacy : Dosage.
- Gasket : Product weight check.
- Plating : Plated volume check (weight check before & after plating).
- Paper manufacture : Total weight compute by tear weight check.
- Dyeing : Exact compound/weighing of dyestuffs.

The specifications and external design are subject to change without notice for further product improvement.

# SHINKO

SHINKO DENSHI CO., LTD.

3-9-11 YUSHIMA, BUNKYO-KU, TOKYO 113, JAPAN

PHONE:81-3-3835-4577

FACSIMILE:81-3-3831-9659

TELEX:02655364 SINKOU J

● Distributed by: